

**Pros`s Pro Electronic TX-500N**

**Stringing Machine**

**User`s Manual**

## Unpacking and inspection

The machine is delivered ready assembled.

In the parcel are 4 pieces V-shaped Side Supports, two Ultimate clamps, 1 AC power cable and a few Allen wrenches.

Unpack the machine carefully and inspect the Electronic TX-500N stringing machine for any obvious damage. Check if all parts are included in the carton. If any item is missing or damaged, contact your delivery agent and your sales representative. Retain the original packaging materials for the event that reshipping is required.



## Operating Instructions

1. Place the machine on a table or a stand foot.
2. On the back side of the electronic tension there is a switch which should be in the ON position for normal operation.
3. Turn the power on and a red light flashes and the tension strength appears on the LED display.
4. Select the tension scale in kilograms or pounds, on the left beside the display. The machine is always shipped set to kilogram.
5. Now turn the knob on the right side of the Electronic tension head to select the tension you require to string your racket. The machine is very sensitive, so it may be not so easy to select.
6. The stringing machine has 3 positions:
  - 0 ..... Machine Stops
  - 1 ..... Machine pulls to the selected tension
  - 2 .....Machine moves back to the starting position.



7. If the string is not released then press the green button, the string gripper will rotate one total round.
8. After stringing turn the machine off.
9. Turn the tension on the display down to 10 kilogram the tension in the machine should be as low as possible in the time of not stringing.

## Fixing of the Racket

Loosen both mounting stocks, place the four K-shaped side supports into the hole of the side-support arms, in the far outer hole for tennis rackets, in the other hole for badminton and squash. Now place the racket in the middle of the stringing machine. Ensure that the two swivel clamps can reach all of the racket area for stringing.

Never apply excessive force or over-tighten the mounting stock locking knobs, this will damage the parts.

Tighten now the side support arms and the mounting stock, but be careful not to do this too heavily, that the racket will not be deformed.



## Very Important

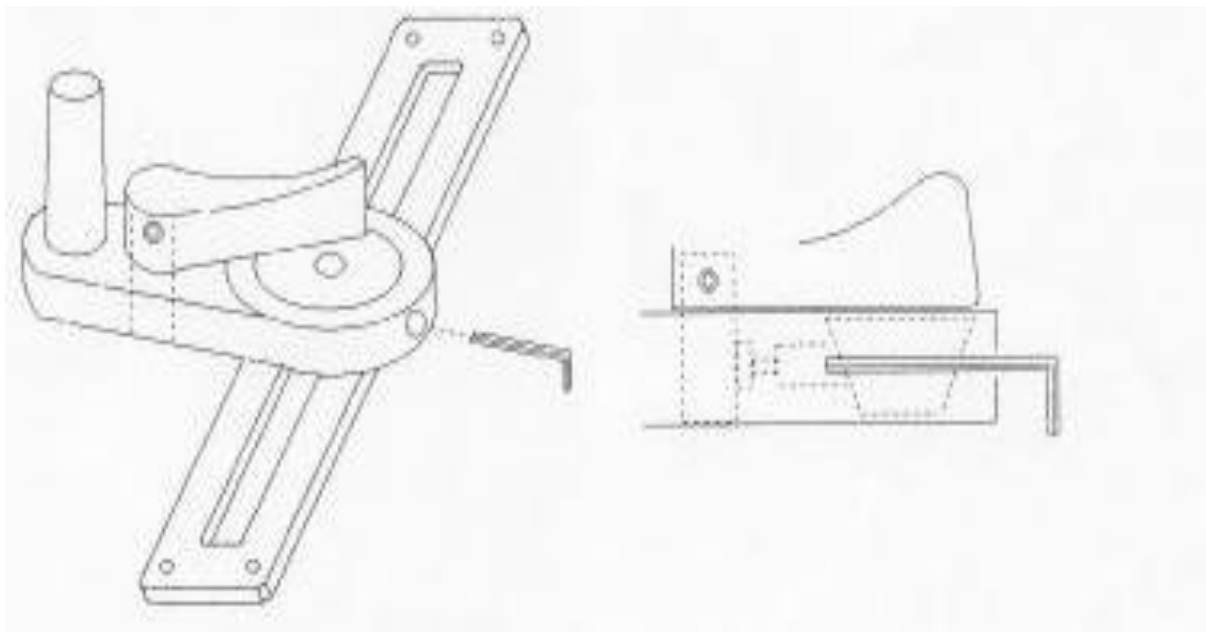
### How to put the string into the tension system

First place the string over the small reel and then around the big one and place it into the slot and hold the string down. Then push the button to 1 and the machine starts pulling until it has the right tension.



## **Adjust the Base of the Swivel Clamp to the correct holding pressure**

If the Clamp base is no longer working very well, put the clamp base vertical to the track. Insert the 3mm Allen wrench into the hole on the side of the base, before you have to remove the black cap. Then turn it only slightly clockwise, do not use excessive force, this could damage the base. It can be very difficult to turn. Then put the Allen wrench out of the base and test if it is working well again, if not repeat the process again. Do not adjust on the base of the clamp base. Only at this screw!



## **Maintenance**

1. The Electronic TX-500N stringing machine is adjusted and calibrated before shipment. Working is easy and relatively maintenance-free.
2. Keep the stringing machine always at a dry and safe place. Keep it away from dust, grease, moisture and any type of heat.
3. Clean the dust and other dirt with a soft cloth or brush.
4. Water should never come inside the machine!
5. Do not use liquid cleansers, abrasive cleaners or aerosol cleaners.
6. Use fine emery cloth to remove the wax buildup from the jaws of the clamps and the string gripper.
7. Do not use sandpaper to remove the wax buildup; it will destroy the special finishing.
8. Do not lubricate the tracks of the turntable.
9. Do not use penetrating oils to clean or to lubricate.
10. Check the clamps often to be sure that they hold the string properly. Do not adjust them as shown before.
11. Reset the tension setting to 10 kilograms after stringing.

## Troubleshooting

The power light does not shine and the electronic part does not do anything.

- Be sure the power switch is in “on” position.
- Check that the power cord is properly installed.
- Check the fuse. Turn off the power switch and unplug the power cord from the wall outlet before checking the fuse. The fuse housing is next to the power switch.
- Check the wall outlet with another electronic equipment.

The string clamp does not hold the string:

- Clean the jaws of the string clamp.
- Adjust the clamp on the top.

The string slips through the string gripper:

- Clean the string gripper, like described before.

The clamp does not move smoothly or can not be fixed:

- Clean the tracks of the turntable.
- Adjust the swivel clamp base per instruction.

The tension pulling is not correct:

- Calibrate the machine.
- Is the string not fixed in the clamp?
- Is the clamp base moving?

## Calibration

The machine is calibrated with an electronic Tension calibrator, if you have only a mechanic one, please be sure that it is not too old otherwise the spring inside will give you wrong results.

1. Set the tension to 25 kg
2. Fix the tension calibrator with one end at the mounting post and the other into the string gripper.
3. Start pulling and check the result on the tension calibrator.
4. If the result is not correct, you have to readjust the machine.
5. Beside the display are two little holes, take a small screwdriver, put it into the upper hole and turn inside a little to get the same tension at the display and the tension calibrator. At the beginning it will be not so easy, because there is a transport protection on it.
6. Then pull again and check the result.
7. If the result is ok, it is finished, if not repeat this procedure until the result is ok.